

# EFM<sup>®</sup>32

... the world's most energy friendly microcontrollers

## Ethernet

AN0032 - Application Note

A decorative graphic on the right side of the page consisting of concentric circles. The outermost circle is light green and contains the number '0'. The next circle inward is a darker green and contains the number '1'. The third circle is blue and contains the number '2'. The fourth circle is a darker blue and contains the number '3'. The innermost circle is black and contains the number '4'. The circles are arranged in a way that they appear to be part of a larger, partially visible circular structure.

### Introduction

This application note implements an embedded http web server on the EFM32. The ethernet PHY is implement with an Asix AX88796C Ethernet Controller.

This application note includes:

- This PDF document
- Source files (zip)
  - Example C-code
  - Multiple IDE projects



**ENERGY**<sup>®</sup>  
micro

[www.energymicro.com](http://www.energymicro.com)

# 1 Introduction

Ethernet is a family of frame-based machine networking technologies for local area networks (LAN) that defines wiring and signaling standards for the Physical Layer (PHY) of the OSI networking model (see below) as well as a common addressing format and a variety of Medium Access Control (MAC) procedures at the lower part of the Data Link Layer. Ethernet is standardized under the name IEEE 802.3.

Embedded Ethernet is generally a chip- or chipset-level implementation of the Ethernet networking standard. By embedding Ethernet into a device, it becomes endowed with the capacity to communicate remotely via the existing Internet infrastructure, without using a computer. The device can be setup as a web server and the user can interact with much of its functionality through a web page, thus operations such as reading local inputs or communication packets, actuating local outputs, reading the hardware states, etc. can all be performed remotely.

This very long distance machine-to-machine or human-to-machine communication facility which does not require the deployment of specific infrastructure has made Embedded Ethernet the most appealing remote control or monitoring solution for a wide variety of market segments, from Industrial/Home Automation to Medical/Scientific Equipment, Security Systems, remote media transfer and many others.

## 2 Ethernet Stack Structure

The Open Systems Interconnection model (OSI model) is a product of the Open Systems Interconnection effort at the International Organization for Standardization. It is a method of dividing a communication system into functional layers, where a layer is a collection of similar functions that provide services only to the layer above it and receives services only from the layer below it.

The following table describes the standard OSI model and, at the rightmost column, (only several of) the corresponding typical Internet protocols per each layer.

**Table 2.1. OSI Model**

OSI Model			Function	
	Data Unit	Layer	Description	Protocols
Host layers	Data	7. Application	Network process to application	DHCP, HTTP, SNMP, SMTP, DNS, FTP
		6. Presentation	Data representation, encryption and decryption, convert machine dependent data to machine independent data	SSL (when encryption is used)
		5. Session	Interhost communication	Sockets, session establishment in TCP
	Segments	4. Transport	End-to-end connections and reliability, flow control	TCP, UDP
Media layers	Packet	3. Network	Path determination and logical addressing	IP (IPv4, IPv6)
	Frame	2. Data Link	Physical addressing	IEEE 802.3, ARP
	Bit	1. Physical	Media, signal and binary transmission	IEE 802.3

## 3 The LightWeight IP Stack

lwIP (or LightWeight IP) is a low footprint implementation of the TCP/IP protocol suite that was originally written by Adam Dunkels of the Swedish Institute of Computer Science and now is being actively developed by a team of developers distributed world-wide. Since its release, lwIP has spurred a lot of interest and is today being used in many commercial products. lwIP has been ported to several platforms and operating systems and can be run either with or without an underlying OS, which makes it particularly attractive for resource constrained embedded microcontroller systems.

The focus of the lwIP TCP/IP implementation is to reduce the RAM usage while still having a full scale TCP. This makes lwIP suitable for use in embedded systems with several tens of kilobytes of free RAM and room for around 40 kilobytes of code space (Flash). lwIP features:

- IP (Internet Protocol) including packet forwarding over multiple network interfaces
- ICMP (Internet Control Message Protocol) for network maintenance and debugging
- UDP (User Datagram Protocol) for datagram data
- TCP (Transmission Control Protocol) with congestion control, RTT estimation ' and fast recovery/fast retransmit
- Specialized no-copy API for enhanced performance
- Optional Berkeley socket API

lwIP is freely available (under a BSD-style license) in C source code format and can be downloaded from the development homepage <http://savannah.nongnu.org/projects/lwip/>

## 4 The AX88796C Ethernet controller and hardware fixture description

ASIX's AX88796C is an SPI Ethernet controller featuring low power, a low pin count and variable voltage I/Os for Embedded and Industrial Ethernet applications. The AX88796C supports two types of interface:

- An 8/16-bit SRAM-like or Address-Data Multiplex host interface with variable voltage I/O (1.8/2.5/3.3V), providing a glueless connection to common or high-end MCUs
- An alternative high speed SPI slave interface for MCUs with SPI master for simplifying host interface connection. The SPI slave interface supports SPI timing mode 0 and 3, up to 40MHz of SPICLK, variable voltage I/O and programmable driving strength (8/16 mA)

The AX88796C integrates on-chip Fast Ethernet MAC and PHY, which is IEEE 802.3/802.3u 10BASE-T/100BASE-TX compatible, and 14KB of embedded SRAM for packet buffering to accommodate high bandwidth applications. The AX88796C offers a wide array of features including support for advanced power management, high performance data transfer on host interface, IPv4/IPv6 checksum offload engine, HP Auto-MDIX, and IEEE 802.3x and back-pressure flow control. The small form factor of 64-pin LQFP package helps reduce the overall PCB space. The programming of AX88796C is simple, thus the users can easily port the software drivers to many embedded systems very quickly.

The chip supports:

- An optional Ready signal as flow control for SPI packet RX/TX
- IPv4/IPv6 packet Checksum Offload Engine to reduce CPU loading, including IPv4 IP/TCP/UDP/ICMP/IGMP and IPv6 TCP/UDP/ICMPv6 checksum generation & check
- VLAN matching filter
- Twisted pair crossover detection and correction (HP Auto-MDIX)
- Full duplex with IEEE 802.3x flow control and half duplex operation with back-pressure flow control
- Auto-polling function
- 10/100Mbps N-way Auto-negotiation operation
- An optional EEPROM interface to store MAC address and exhibits various Advanced Power Management features

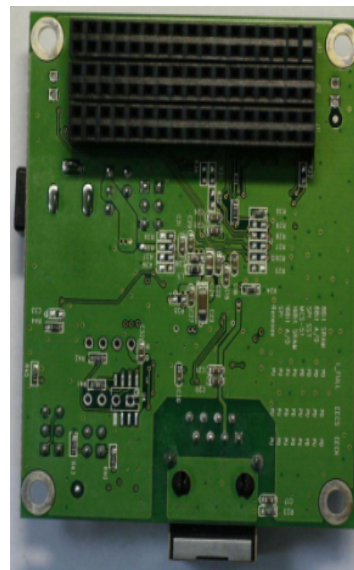
For more information, please use the chip datasheet from the respective manufacturer ([www.asix.com.tw](http://www.asix.com.tw)).

The present application note hardware fixture uses as a reference hardware item the AX88796C SMDK2440 board available from ASIX. External interface pins are available via headers (Figure 4.1 (p. 6) ) to connect to any type of hardware. Please consult the manufacturer specifications for more information.

Figure 4.1. AX88796C



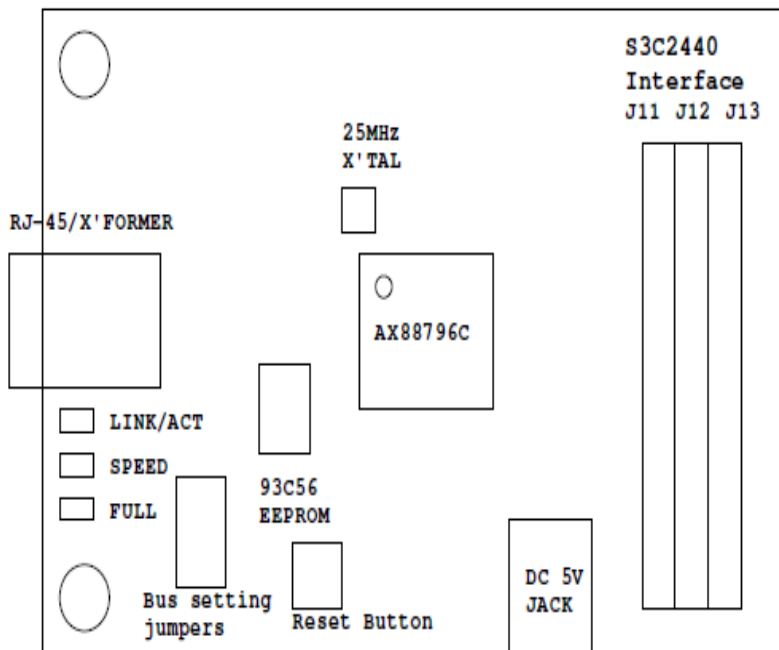
AX88796C SMDK2440 board  
Front side



AX88796C SMDK2440 board  
Back side

Figure 4.2 (p. 6) depicts the layout of the major components on the ASIX development board:

Figure 4.2. AX88796C layout



The connectivity between the ASIX development board and the EFM32 STK is achieved following the connections described in the following table:

Table 4.1. Pin Connections

EFM32G890F128	STK expansion header pin	Function	AX88796C board header	Pin	Function
-	18	USB 5V	J11	31	V <sub>CC</sub>
-	1	GND	J13	1	GND
PD0	4	SPI_TX	J13	2	SD0/S MOSI

EFM32G890F128	STK expansion header pin	Function	AX88796C board header	Pin	Function
PD1	6	SPI_RX	J13	3	SD1/S MISO
PD2	8	SPI_CLK	J12	34	S CLK0
PD3	10	SPI_CS	J11	2	CSN/SS0
PD4	12	RESET	J11	30	RESETN
PB12	13	INT	J11	18	IRQ

The USB 5V connection is optional and should only be used if the user wants to power the ASIX board using the STK. The board can also be supplied using a 5V regulated supply connected to the DC 5V JACK (Figure 4.2 (p. 6)). To select between these two supplies jumper J4 should be placed as described in Table 4.2 (p. 7). The Vmcu power line can also be used to supply the board instead of the USB 5V but it is recommended to use the USB 5V for higher current sourcing.

Additionally, on the ASIX development board, suitable 4.7 KOhm resistors should be assembled in the R22, R1, R2 and R26 positions to ensure pulling the SPI bus signals high when inactive.

**Table 4.2. Jumper Configuration**

Jumper	Position
J2	1-2
J3	1-2
J4	not mounted
J5	1-2 closed and 3-4 open
J6	1-2 for DC_JACK supply or 2-3 for USB 5V supply
J8	1-2
J9	1-2

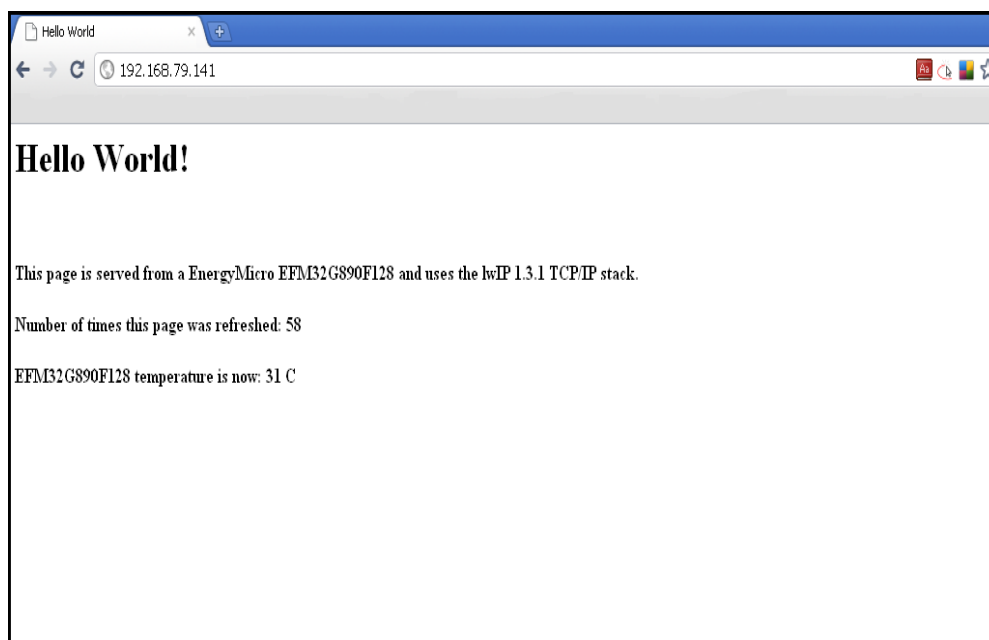
## 5 EFM32 Implementation

This example application demonstrates the operation of the EFM32G890F128 running the lwIP TCP/IP stack and connecting to the AX88796C Ethernet controller. The project can be configured to use Static IP or DHCP. It implements a minimal embedded http web server which serves a web page displaying the current EFM MCU temperature and number of times the page was refreshed (the page is being automatically refreshed every 5 seconds).

In order to run the example code, follow the next steps:

1. Connect the EFM32-Gxxx-STK
2. Compile and build the project code
3. Download the code in the MCU
4. Start the application
5. Run the example by typing the board's IP in a web browser. The board will serve a web page (Figure 5.1 (p. 8) )

**Figure 5.1. Web Page**



The "number of times this page was refreshed" counter will increment automatically every 5 seconds.

The software can be configured to use either static IP or DHCP where it needs to be connected to a DHCP server to provide an IP address. To select between them the `LWIP_DHCP` define in `lwipopts.h` should be used. Depending on the value of this macro the IP configuration function (`lwIPInit(const unsigned char *pucMAC, unsigned long ulIPAddr, unsigned long ulNetMask, unsigned long ulGWAddr, unsigned long ulIPMode)`) will be called with different parameters on `main`.

The IP address will be shown in the STK LCD. Since there are not enough characters to show the full IP address it cycles between the 4 IP fields showing them on the top right corner of the LCD while an X marks which IP field the number corresponds to (Figure 5.2 (p. 9) ).

Figure 5.2. IP on LCD



In the example shown in Figure 5.2 (p. 9) the IP is 192.168.79.128.

## 6 Revision History

### 6.1 Revision 1.05

2012-04-20

Adapted software projects to new peripheral library naming and CMSIS\_V3.

### 6.2 Revision 1.04

2011-10-21

Updated IDE project paths with new kits directory.

### 6.3 Revision 1.03

2011-05-18

Updated projects to align with new bsp version.

### 6.4 Revision 1.02

2011-05-16

Small code update

### 6.5 Revision 1.01

2011-05-05

Corrected wrong ASIX part numbers

### 6.6 Revision 1.00

2011-04-14

Initial revision.

## A Disclaimer and Trademarks

### A.1 Disclaimer

*Energy Micro AS intends to provide customers with the latest, accurate, and in-depth documentation of all peripherals and modules available for system and software implementers using or intending to use the Energy Micro products. Characterization data, available modules and peripherals, memory sizes and memory addresses refer to each specific device, and "Typical" parameters provided can and do vary in different applications. Application examples described herein are for illustrative purposes only. Energy Micro reserves the right to make changes without further notice and limitation to product information, specifications, and descriptions herein, and does not give warranties as to the accuracy or completeness of the included information. Energy Micro shall have no liability for the consequences of use of the information supplied herein. This document does not imply or express copyright licenses granted hereunder to design or fabricate any integrated circuits. The products must not be used within any Life Support System without the specific written consent of Energy Micro. A "Life Support System" is any product or system intended to support or sustain life and/or health, which, if it fails, can be reasonably expected to result in significant personal injury or death. Energy Micro products are generally not intended for military applications. Energy Micro products shall under no circumstances be used in weapons of mass destruction including (but not limited to) nuclear, biological or chemical weapons, or missiles capable of delivering such weapons.*

### A.2 Trademark Information

Energy Micro, EFM32, EFR, logo and combinations thereof, and others are the registered trademarks or trademarks of Energy Micro AS. ARM, CORTEX, THUMB are the registered trademarks of ARM Limited. Other terms and product names may be trademarks of others.

## B Contact Information

### B.1 Energy Micro Corporate Headquarters

Postal Address	Visitor Address	Technical Support
Energy Micro AS P.O. Box 4633 Nydalen N-0405 Oslo NORWAY	Energy Micro AS Sandakerveien 118 N-0484 Oslo NORWAY	support.energymicro.com Phone: +47 40 10 03 01

**www.energymicro.com**

Phone: +47 23 00 98 00

Fax: + 47 23 00 98 01

### B.2 Global Contacts

Visit **www.energymicro.com** for information on global distributors and representatives or contact **sales@energymicro.com** for additional information.

Americas	Europe, Middle East and Africa	Asia and Pacific
<a href="http://www.energymicro.com/americas">www.energymicro.com/americas</a>	<a href="http://www.energymicro.com/emea">www.energymicro.com/emea</a>	<a href="http://www.energymicro.com/asia">www.energymicro.com/asia</a>

## Table of Contents

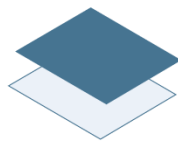
- 1. Introduction ..... 2
- 2. Ethernet Stack Structure ..... 3
- 3. The LightWeight IP Stack ..... 4
- 4. The AX88796C Ethernet controller and hardware fixture description ..... 5
- 5. EFM32 Implementation ..... 8
- 6. Revision History ..... 10
  - 6.1. Revision 1.05 ..... 10
  - 6.2. Revision 1.04 ..... 10
  - 6.3. Revision 1.03 ..... 10
  - 6.4. Revision 1.02 ..... 10
  - 6.5. Revision 1.01 ..... 10
  - 6.6. Revision 1.00 ..... 10
- A. Disclaimer and Trademarks ..... 11
  - A.1. Disclaimer ..... 11
  - A.2. Trademark Information ..... 11
- B. Contact Information ..... 12
  - B.1. Energy Micro Corporate Headquarters ..... 12
  - B.2. Global Contacts ..... 12

## List of Figures

4.1. AX88796C .....	6
4.2. AX88796C layout .....	6
5.1. Web Page .....	8
5.2. IP on LCD .....	9

## List of Tables

2.1. OSI Model .....	3
4.1. Pin Connections .....	6
4.2. Jumper Configuration .....	7



**ENERGY**<sup>®</sup>  
*micro*

*Energy Micro AS  
Sandakerveien 118  
P.O. Box 4633 Nydalen  
N-0405 Oslo  
Norway*

*[www.energymicro.com](http://www.energymicro.com)*